



VESTIL MANUFACTURING CORP.

2999 North Wayne Street, P.O. Box 507, Angola, IN 46703
 Telephone: (260) 665-7586 -or- Toll Free (800) 348-0868
 Fax: (260) 665-1339

www.vestilmfg.com e-mail: sales@vestil.com

**CH-SERIES COIL HOOKS
 USE AND MAINTENANCE MANUAL**



Receiving instructions:

After delivery, IMMEDIATELY remove the packaging from the product in a manner that preserves the packaging and maintains the orientation of the product in the packaging; then inspect the product closely to determine whether it sustained damage during transport. **If damage is discovered during the inspection, immediately record a complete description of the damage on the bill of lading.** If the product is undamaged, discard the packaging.

NOTES:

- 1) Compliance with laws, regulations, codes, and non-voluntary standards enforced in the location where the product is used is exclusively the responsibility of the owner/end-user.
- 2) VESTIL is **not liable** for any injury or property damage that occurs as a consequence of failing to apply either: a) the instructions in this manual; or b) information provided on labels affixed to the product.

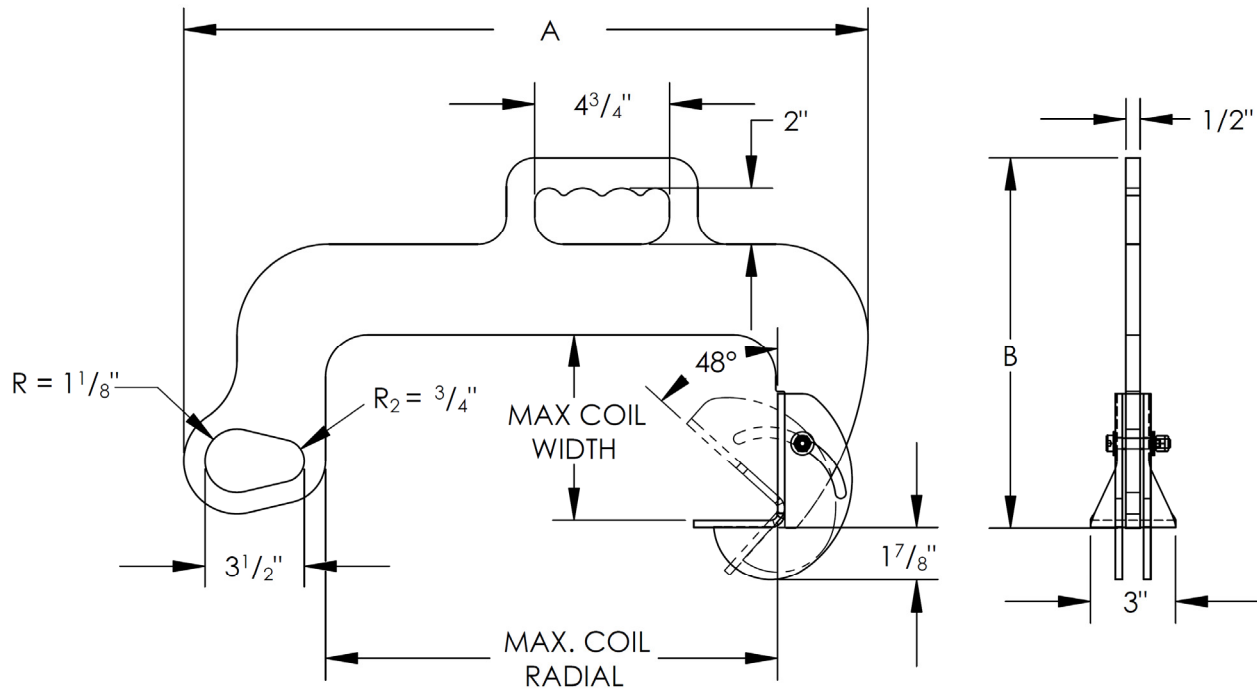
Vestil is not responsible for *any* consequential damages sustained as a result of failing to exercise sound judgment while assembling, installing, using or maintaining this product.

Table of Contents

Product specifications.....	2
Signal words.....	3
Safe use recommendations.....	3
FIG. 1: CH-series coil hooks exploded parts diagrams & bill of materials.....	4
Use instructions.....	4 - 5
Inspections & Maintenance.....	6
Label placement diagram	6
Limited warranty.....	7

Product specifications:

Dimensions and other product information appear in the diagrams and table below.



Model	A	B	Maximum Coil Width	Maximum Coil Radial	Minimum Coil Inside (Open) Diameter	Uniform Capacity	Net Weight
CH-10-6	24 1/8 in. 61.3 cm	13 1/16 in. 33.2 cm	6 in. ~15.2 cm	13 in. ~33.0 cm	9 in. ~22.9 cm	1,000 lb. (~454.5 kg)	19.12 lb. (8.7 kg)
CH-10-12	24 1/8 in. 61.3 cm	19 1/16 in. 48.4 cm	12 in. ~30.5 cm	13 in. ~33.0 cm	13 in. ~33.0 cm	1,000 lb. (~454.5 kg)	24.51 lb. (11.14 kg)
CH-20-8	27 1/8 in. 68.9 cm	15 1/16 in. 38.3 cm	8 in. ~20.3 cm	16 in. ~40.6 cm	10 in. ~25.4 cm	2,000 lb. (~909.1 kg)	22.28 lb. (10.13 kg)

Signal Words:

This manual uses SIGNAL WORDS to indicate the likelihood of personal injuries if the product is misused in the ways described. Signal words also indicate the probable seriousness of those injuries. The signal word "NOTICE" calls attention to uses of the product that are likely to cause property damage. The signal words used in this manual appear below along with the definition of each word:



Identifies a hazardous situation which, if not avoided, WILL result in DEATH or SERIOUS INJURY. Use of this signal word is limited to the most extreme situations.



Identifies a hazardous situation which, if not avoided, COULD result in DEATH or SERIOUS INJURY.



Indicates a hazardous situation which, if not avoided, COULD result in MINOR or MODERATE injury.



Identifies practices likely to result in product/property damage, such as operation that might damage the product.

Safe use recommendations:

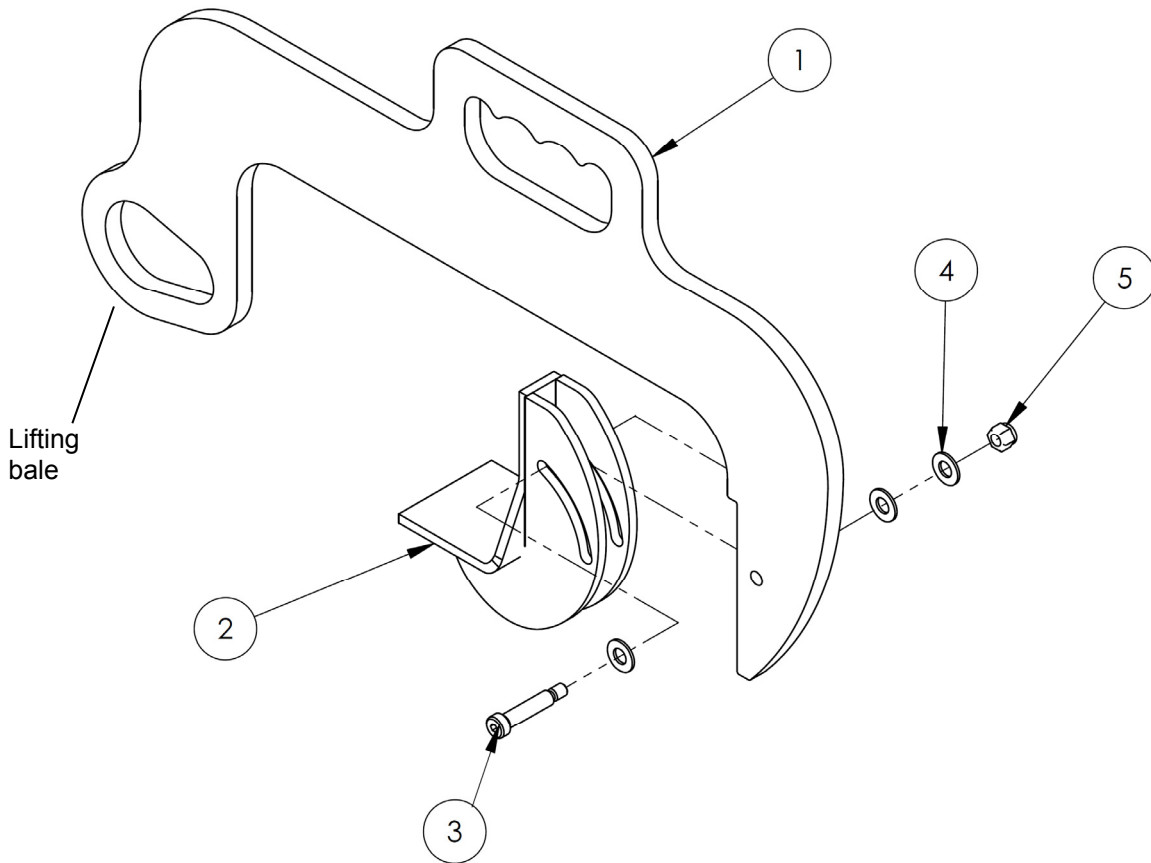
Vestil diligently strives to identify foreseeable hazards associated with the use of its products. However, material handling is inherently dangerous and no manual can address every conceivable risk. The end-user ultimately is responsible for exercising sound judgment at all times.



If this product is used improperly or carelessly, serious personal injuries might result. To reduce the likelihood of injury:

- Review the safety messages included in the manuals for your crane, trolley, hoist, and any other device used with the coil hook.
- Always inspect the coil hook before each use according to the inspection procedures described in the most recent revision of ASME B30.20.
- Apply the maintenance practices described in B30.20 and the maintenance procedures on p. 6 of this manual. These procedures supplement the suggested maintenance practices of ASME B30.20. Follow ASME B30.20 if there is any disagreement between the maintenance suggestions in this manual and those that appear in ASME B30.20.
- **ONLY** attach the coil hook to a properly functioning safety hook to prevent accidental detachment from the hoist.
- **DO NOT** use the coil hook to move a load if it cannot be stably and securely lifted with the hook.
- **DO NOT** remove or obscure any label. Verify the placement and legibility all labels as shown in the "Labeling Diagram" on p. 6. **DO NOT** use the coil hook **UNLESS** all labels are present and readable.
- **DO NOT** attempt an unbalanced lift. Always use enough coil hooks to properly balance the load before lifting and/or moving material.
- **DO NOT** sit on or apply any weight to a load held by the coil hook.
- **DO NOT attempt to lift material that exceeds the load rating.** ALWAYS make sure that the load weighs no more than the rated load of the coil hook.
- **DO NOT** lift coils with the coil retainer/bracket weldment (see FIG. 1 on p. 4). For instance, do not slide the retainer under a coil lying on the ground and attempt to raise the coil to an upright position. The retainer is designed only to prevent coils for sliding out of the hook.
- **DO NOT** lift a load higher than necessary.
- **DO NOT** raise the load over your feet or any other part of your body.
- **DO NOT** use the coil hook to lift material over people, or to lift any apparatus used to support people, such as a work platform.
- Always keep the hook and load in sight. You are less likely to be injured if the load remains within your sight at all times. Stand to one side of the load next to the coil hook to stabilize the load as you move it.
- **DO NOT** leave a suspended load unattended.
- **DO NOT** modify the coil hook in any way. Modifications might make the hook unsafe to use and automatically void the Limited Warranty (see p. 7).

FIG. 1: CH-Series Coil Hooks Exploded Parts Diagram & Bill of Materials



Item No.	Part No.	Description	Quantity
1	49-014-016	Main body, frame: CH-10-6, or	1
1	49-014-017	CH-10-12, or	1
1	49-014-018	CH-20-8	1
2	49-516-001	Bracket Weldment	1
3	26333	Shoulder Screw 3/8 x 1-1/2	1
4	33008	³ / ₈ " USS Z-plated Flat Washer	3
5	37021	⁵ / ₁₆ " -18 Grade 2, zinc finish, Nylon insert lock nut	1

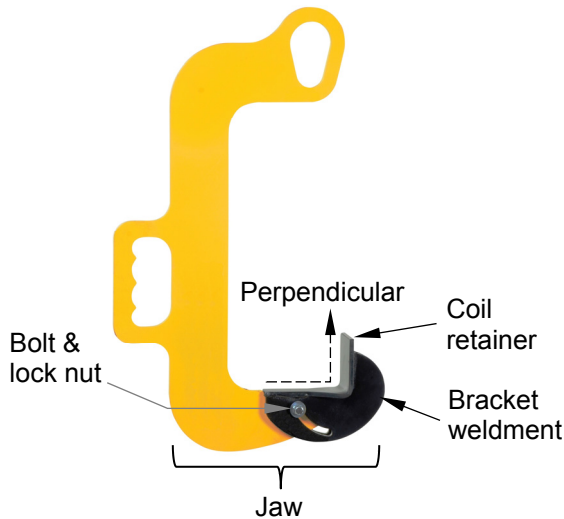
Use Instructions:

[NOTE: The operating instructions in this manual are meant to **supplement** operation recommendations in ASME standard B30.20.]

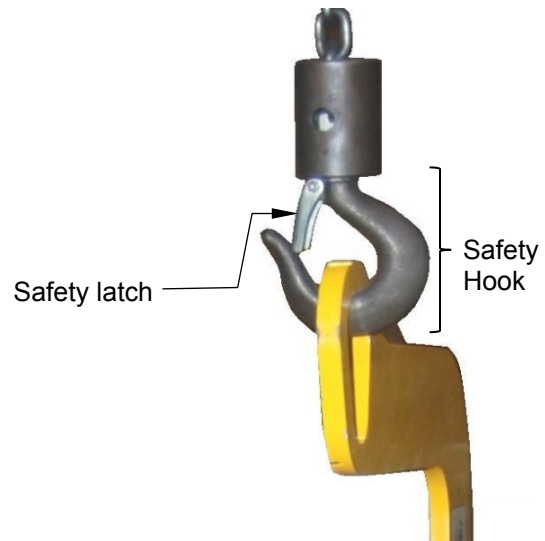
Only trained, designated persons should use the coil hook. "Designated person" means someone selected by his or her employer, or by a representative of the employer, as competent to use the coil hook. Trainees under the direct supervision of a designated person may use the device. Maintenance persons and personnel who perform tests also may use the coil hook when necessary for the performance of their employment duties.

Step 1: Perform a proper "Every Lift" inspection as described in the most recent revision of ASME B30.20, BEFORE you connect the hook to a hoisting device. Proceed to the next step ONLY IF the coil hook passes the inspection and is deemed safe to use by designated inspection personnel.

Step 2: Secure the bracket weldment so that the coil retainer is perpendicular to the hook jaw as shown. Tighten the bolt, lock nut, so that the bracket weldment is securely attached to the frame.



Step 3: Connect the coil hook to the hoist. Use a hoist with a (latching) safety hook to prevent accidental detachment from the hoist.



Step 4: Move the coil hook into position above the load and insert the jaw of the coil hook through the center of the coil.

WARNING

The hoist chain/cable should be straight up-and-down when the hook is connected to a coil. Deflection from vertical will cause the load to swing when lifted. A swinging load might cause injuries.

Step 5: Confirm that the load will remain stable when lifted. Grasp the hook by the handle. Raise the load just a few inches above the ground. If the load slides, return it to the ground. Then, reposition the hook to prevent sliding. **DO NOT** proceed to the next step until the load is properly stabilized i.e. does not slide when lifted.

Step 6: Grasp the handle and lift the load to approximately waist height. Move the load to the desired location.



WARNING

Review all hazard safety messages on p.5 and apply the following:

1. NEVER lift material over yourself or other people.
2. Keep your hands away from the coil while raising, lowering and/or moving it. ONLY grasp the handle to stabilize the load.
3. Always grasp the handle and walk at arm's length to the side of the load. Make sure that your clothing, feet, and all other parts of your body stay out of contact with the load.
4. If you are using a motorized trolley to move a coil, DO NOT push or pull on the handle. Allow the trolley to supply all movement. Hold onto the handle ONLY to stabilize the load.
5. If you are using a manual trolley, grasp the handle with one hand. Push or pull the handle to move the trolley.

Step 7: Make sure that the hook is not swinging or rotating; then slowly lower the load to the ground. **DO NOT** remove the load from the hook until you immobilize it to prevent the coil from rolling or falling over. Once the load is immobilized, disengage the hook from the load.

Inspections & Maintenance:

Perform all relevant inspections recommended in ASME B30.20. Inspections described below supplement those described in B30.20.

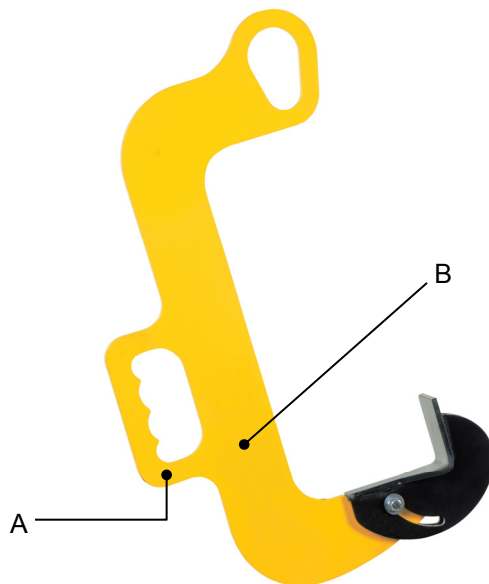
I. Inspections Before Each Lift -- visually inspect the lifter for structural damage. Structural damage includes, but is not limited to bending, excessive wear, warping, cracking or other deformation of any part of the coil hook (refer to FIG. 1 on p. 6; main body frame, especially the lifting bale, handle, or bracket weldment). Restore the coil hook to normal operating condition before using it again. Remove debris from the hook surfaces.

II. Periodic Inspections: complete visual inspections every 3 months performed AND recorded by a *qualified* person.

- A. Loose, damaged, or missing hardware (bolts, screws, washers, nuts, pins, etc.). Replace all damaged and missing hardware. Tighten or otherwise appropriately secure loose connections
- B. Excessive wear, particularly at the points where the hook connects to the hoist hook, and load support clevises or pins. Permanently remove the lifter from service if it cannot be restored to normal operating condition.

Labeling diagram:

Only use the coil hook if ALL of the labels are readable and undamaged. Contact Vestil for replacement labels.



A: Tag 993 (reverse side) connected to handle

Model No. _____	Serial No. _____
No. Modelo _____	No. Serie _____
Capacity _____ lbs.	Lifter Weight _____ lbs.
Capacidad _____ kgs.	Peso del Elevador _____ kgs.
BHT-1 Design Category: B	BHT-1 Service Category: 1
BHT-1 Categoría de Diseño B	BHT-1 Categoría de Servicio: 1
Read Owners Manual for product safety warnings Lea Manual de Proprietarios para advertencias de seguridad de producto	

B: Label 208

▲ WARNING	▲ ADVERTENCIA	▲ AVERTISSEMENT
KEEP CLEAR OF PINCH POINT	MANTENGASE ALEJADO DEL PUNTO DE CORTE	SE TENIR À DISTANCE DU POINT DE PINCEMENT

A: Tag 993 (obverse side)

▲ WARNING	▲ ADVERTENCIA
<ul style="list-style-type: none"> • DO NOT exceed rated capacity • DO NOT use if damaged, malfunctioning, or missing parts • DO NOT lift people OR lift loads over people • DO NOT raise load higher than necessary • DO NOT leave a suspended load unattended • DO NOT use lifter unless you read and understand the owner's manual • DO NOT alter OR modify lifter • DO NOT remove OR obscure any label • STAY CLEAR of suspended loads • Secure load before using this device 	<ul style="list-style-type: none"> • NO exceda la capacidad tasada • NO USE si las partes están dañadas, no funcionan correctamente o faltan partes. • NO eleve al personal o eleve cargas sobre el personal • NO eleve la carga mas alto de lo necesario • NO deje desatendida una carga que este suspendida • NO use el elevador a no ser que haya leído y entendido las instrucciones del manual del propietario • NO altere o modifique el elevador • NO quite u oscurezca ninguna etiqueta • MANTENGASE alejado de las cargas suspendidas • Asegure la carga antes de usar este dispositivo

LIMITED WARRANTY

Vestil Manufacturing Corporation (“Vestil”) warrants this product to be free of defects in material and workmanship during the warranty period. *Our warranty obligation is to provide a replacement for a defective original part if the part is covered by the warranty, after we receive a proper request from the warrantee (you) for warranty service.*

Who may request service?

Only a warrantee may request service. *You are a warrantee if you purchased the product from Vestil or from an authorized distributor AND Vestil has been fully paid.*

What is an “original part”?

An original part is a part used to make the product as shipped to the warrantee.

What is a “proper request”?

A request for warranty service is proper if Vestil receives: 1) a photocopy of the Customer Invoice that displays the shipping date; AND 2) a written request for warranty service including your name and phone number. Send requests by any of the following methods:

<u>Mail</u>	<u>Fax</u>	<u>Email</u>
Vestil Manufacturing Corporation 2999 North Wayne Street, PO Box 507 Angola, IN 46703	(260) 665-1339 <u>Phone</u> (260) 665-7586	sales@vestil.com

In the written request, list the parts believed to be defective and include the address where replacements should be delivered.

What is covered under the warranty?

After Vestil receives your request for warranty service, an authorized representative will contact you to determine whether your claim is covered by the warranty. Before providing warranty service, Vestil may require you to send the entire product, or just the defective part or parts, to its facility in Angola, IN. The warranty covers defects in the following original dynamic components: motors, hydraulic pumps, electronic controllers, switches and cylinders. It also covers defects in original parts that wear under normal usage conditions (“wearing parts”), such as bearings, hoses, wheels, seals, brushes, and batteries.

How long is the warranty period?

The warranty period for original dynamic components is 30 days. For wearing parts, the warranty period is 30 days. The warranty periods begin on the date when Vestil ships the product to the warrantee. If the product was purchased from an authorized distributor, the periods begin when the distributor ships the product. Vestil may, at its sole discretion, extend the warranty periods for products shipped from authorized distributors by *up to 30 days* to account for shipping time.

If a defective part is covered by the warranty, what will Vestil do to correct the problem?

Vestil will provide an appropriate replacement for any covered part. An authorized representative of Vestil will contact you to discuss your claim.

What is not covered by the warranty?

1. Labor;
2. Freight;
3. Occurrence of any of the following, which automatically voids the warranty:
 - Product misuse;
 - Negligent operation or repair;
 - Corrosion or use in corrosive conditions;
 - Inadequate or improper maintenance;
 - Damage sustained during shipping;
 - Accidents involving the product;
 - Unauthorized modifications: DO NOT modify the product IN ANY WAY without first receiving written authorization from Vestil. Modification(s) might make the product unsafe to use or might cause excessive and/or abnormal wear.

Do any other warranties apply to the product?

Vestil Manufacturing Corp. makes no other express warranties. All implied warranties are disclaimed to the extent allowed by law. Any implied warranty not disclaimed is limited in scope to the terms of this Limited Warranty.

